

FC150V-EA00

GRID NO.
A-1

This grid covers:

Loxema

PARTS CATALOG

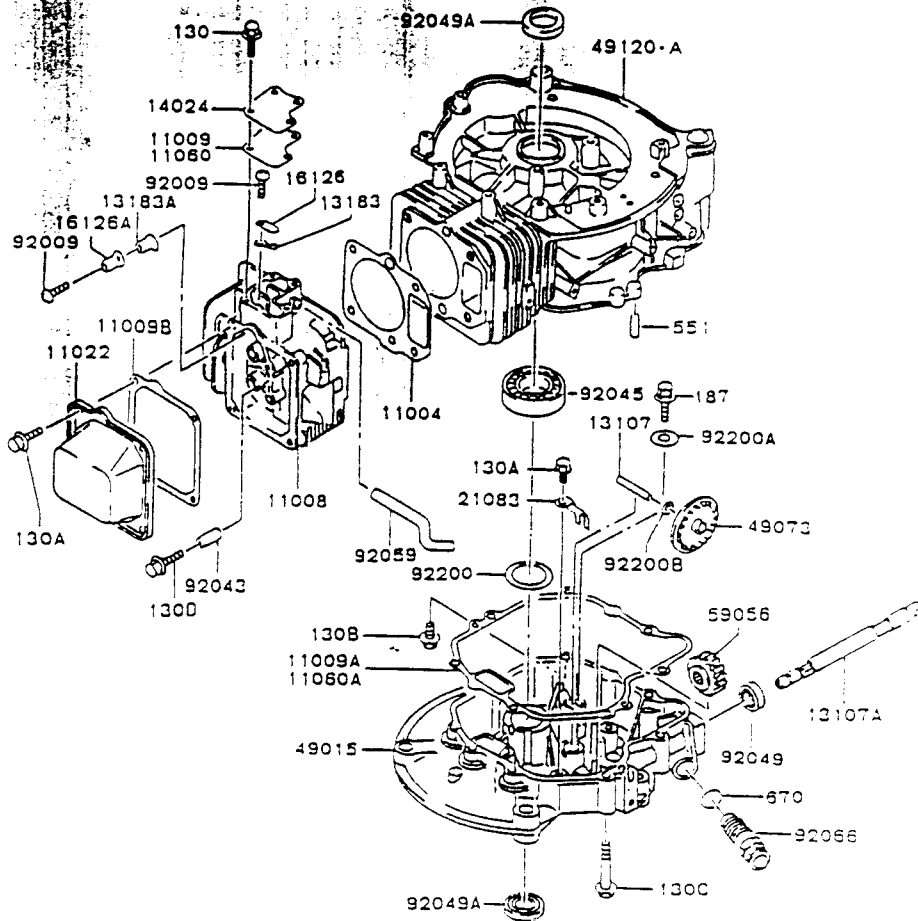
4-STROKE AIR-COOLED ENGINE

FC150V

PRODUCT CODE	NOTE
FC150V-EA00	

CYLINDER/CRANKCASE

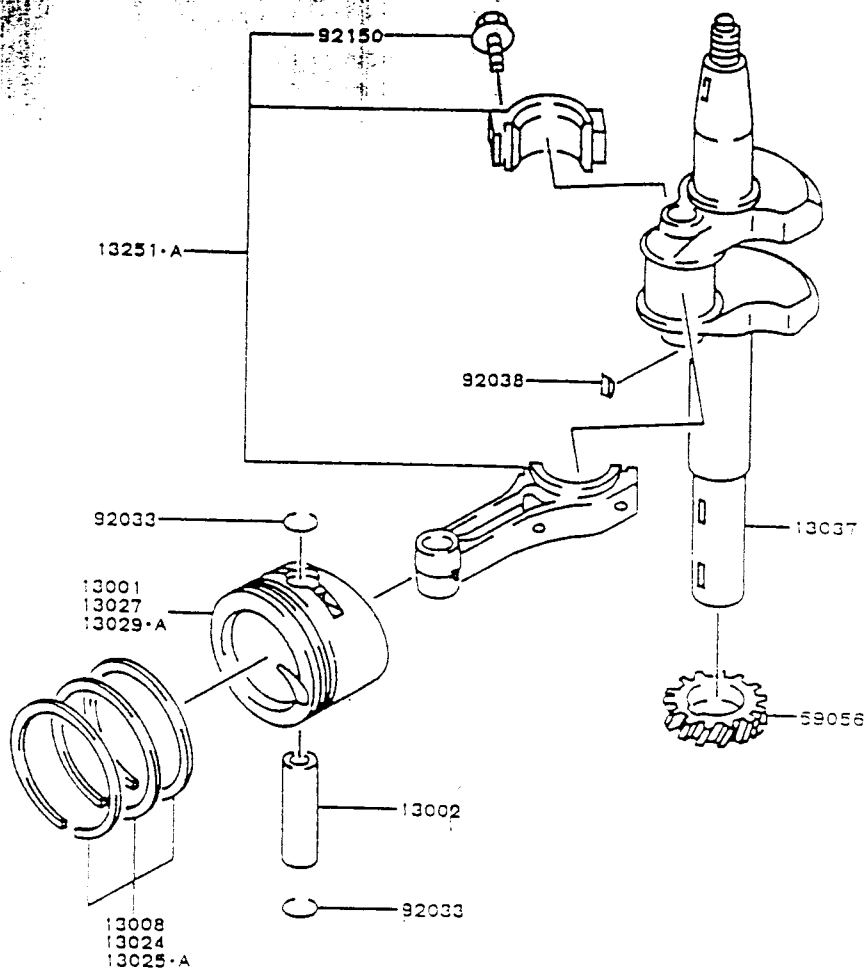
E0110-2243A



Ref. No.	Parts No.	Description	Quantity
11004	11004-2099	GASKET-HEAD	1
11008	11008-6008	HEAD-COMP-CYLINDER	1
11009	11009-2740	GASKET, COVER	1
	(FC150-B77966)		
11009A	11009-2770	GASKET, CRANKCASE COVER	1
	(FC150-B77966)		
11009B	11009-2848	GASKET, ROCKER CASE	1
11022	11022-2057	CASE-ROCKER	1
11060	11060-2007	GASKET, COVER	1
	(FC150-B77967)		
11060A	11060-2011	GASKET, CRANKCASE COVER	1
	(FC150-B77967)		
13107	13107-2202	SHAFT	1
13107A	13107-2227	SHAFT	1
13183	13183-2258	PLATE	1
13183A	13183-2259	PLATE	1
14024	14024-2180	COVER	1
16126	16126-2149	VALVE	1
16126A	16126-2150	VALVE	1
21083	21083-2062	ARM	1
49015	49015-6088	COVER-CRANKCASE	1
49073	49073-2055	SLINGER-OIL	1
49120	49120-2189	CRANKCASE-COMP	1
49120A	49120-2240	CRANKCASE-COMP	1
59056	59056-2790	GEAR-HELICAL	1
92009	92009-2166	SCREW, 5X8	2
92043	92043-1264	PIN	2
92045	92045-2155	BEARING-BALL	2
92049	92049-2204	SEAL-OIL	2
92049A	92049-2208	SEAL-OIL	2
92059	92059-2256	TUBE	1
92066	92066-2130	PLUG	1
92200	92200-2026	WASHER, 25X42X1.0	1
92200A	92200-2033	WASHER, 5X16X0.8	1
92200B	92200-2034	WASHER, 6X12X1.0	1
130	130B0510	3CLT-FLANGED	4
130A	130B0612	3CLT-FLANGED	4
130B	130G0625	3CLT-FLANGED	4
130C	130G0645	3CLT-FLANGED	4
130D	130G0845	3CLT-FLANGED	4

PISTON/CRANKSHAFT

E0120-2002A

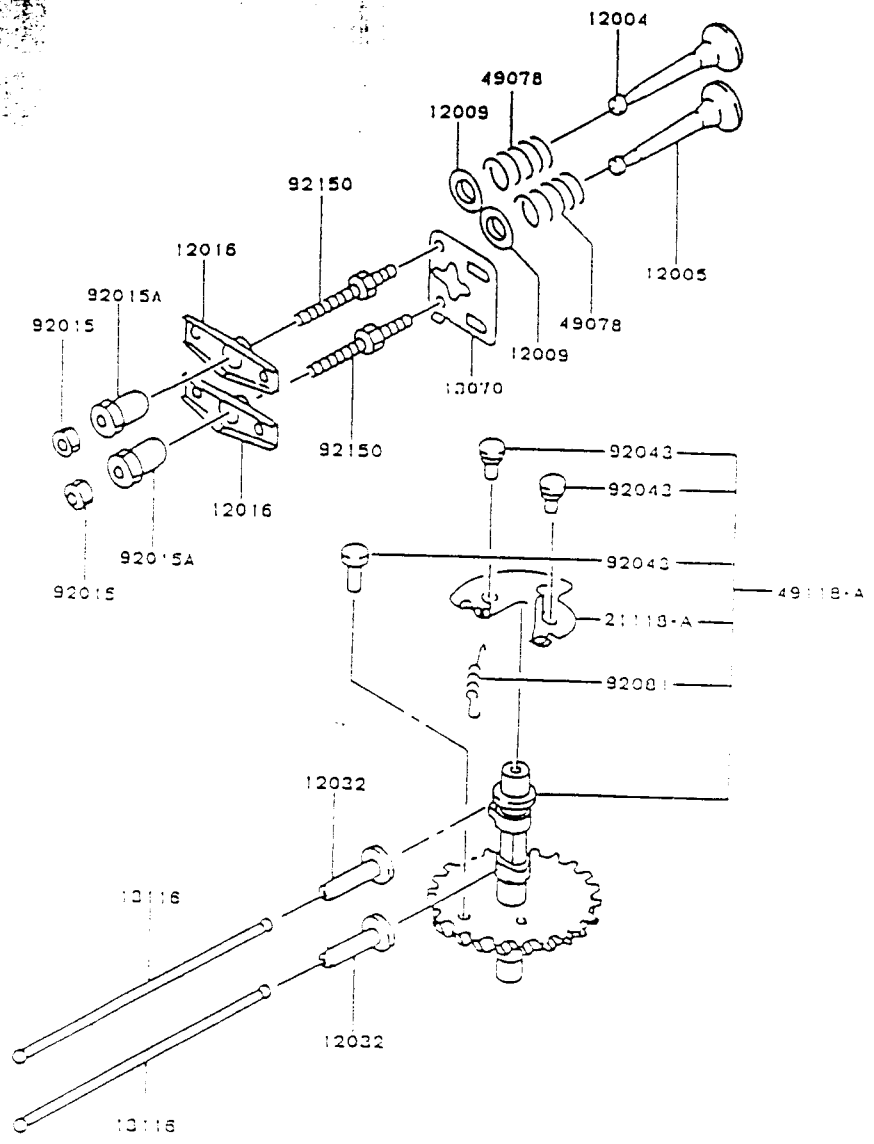


Ref. No.	Parts No.	Description	Quantity
13001	13001-2109	PISTON-ENGINE	1
13002	13002-2074	PIN-PISTON	1
13008	13008-6017	RING-SET-PISTON	1
13024	13024-6002	RING-SET-PISTON LL,0.75	AR
13025	13025-6003	RING-SET-PISTON L,0.25	AR
13025A	13025-6004	RING-SET-PISTON L,0.50	AR
13027	13027-2058	PISTON-ENGINE LL,0.75	AR
13029	13029-2094	PISTON-ENGINE L,0.25	AR
13029A	13029-2095	PISTON-ENGINE L,0.50	AR
13037	13037-2359	CRANKSHAFT	1
13251	13251-6025	ROD-ASSY-CONNECTING	1
13251A	13251-6027	ROD-ASSY-CONNECTING,0.50	AR
59056	59056-2726	GEAR-HELICAL	1
92033	92033-2161	RING-SNAP	2
92038	92038-2093	KEY	1
92150	92150-2122	BOLT,CONNECTING ROD	2

VALVE/CAMSHAFT

E0130-2029D

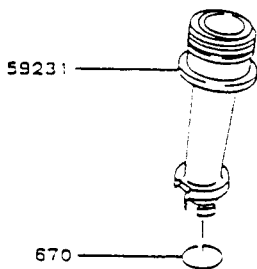
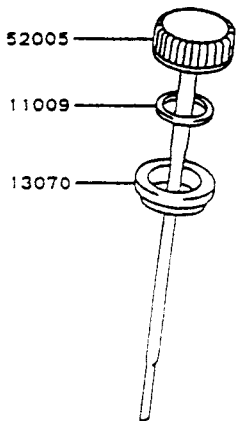
Ref. No.	Parts No.	Description	Quantity
12004	12004-2090	VALVE-INTAKE	1
12005	12005-2074	VALVE-EXHAUST	1
12009	12009-2062	RETAINER-VALVE SPRING	2
12016	12016-2057	ARM-ROCKER	2
12032	12032-2065	TAPPET	2
13070	13070-2072	GUIDE	1
13116	13116-2065	ROD-PUSH	2
21118	21118-2069	DECOMPRESSOR	1
	(FC150-B74380)		
21118A	21118-2082	DECOMPRESSOR	1
	(FC150-B74381)		
49078	49078-2064	SPRING-ENGINE VALVE	2
49118	49118-2068	CAMSHAFT-COMP	2
49118A	49118-2095	CAMSHAFT-COMP	2
92015	92015-2240	NUT	2
92015A	92015-2253	NUT	2
92043	92043-2168	DIN	2
92081	92081-2342	SPRING	2
92150	92150-2102	BOLT	2



LUBRICATION-EQUIPMENT

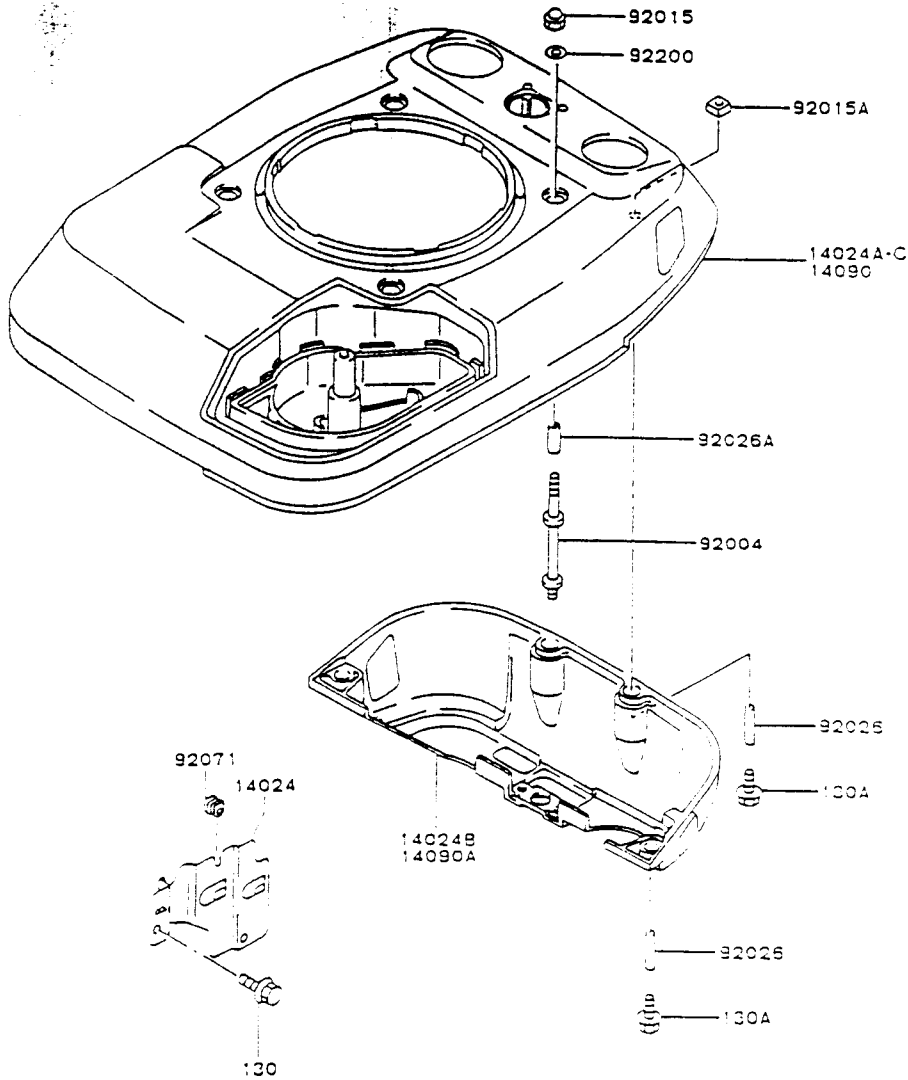
E0140-2045A

Ref. No.	Parts No.	Description	Quantity
11009	11009-2346	GASKET, OIL GAUGE	1
13070	13070-2078	GUIDE	1
52005	52005-2094	GAUGE, OIL	1
59231	59231-2071	FILLER	1
670	670D2016	O RING	1



5 COOLING-EQUIPMENT

E0150-2075G

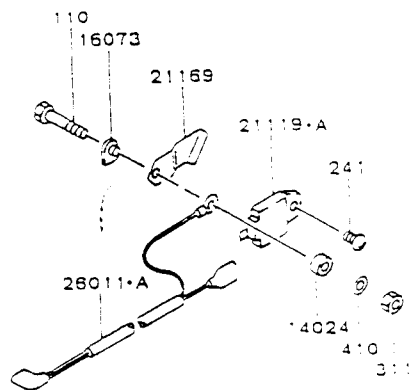
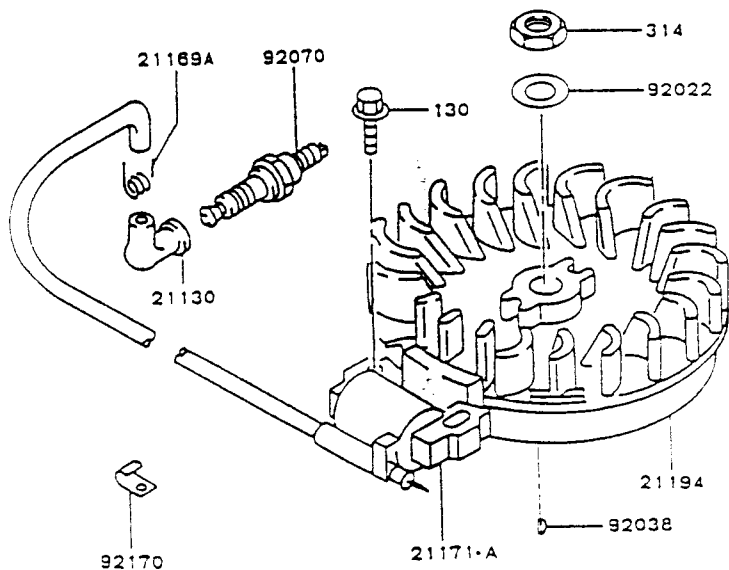


Ref. No.	Parts No.	Description	Quantity
14024	14024-2181	COVER, UPPER	1
14024A	14024-2231	COVER, UPPER	1
	(FC150-B19327)		
14024B	14024-2232	COVER, LOWER	#
14024C	14024-2287	COVER, UPPER	#
	(FC150-B19328)		
14090	14090-2007	COVER, UPPER	1
14090A	14090-2011	COVER, LOWER	1
92004	92004-2117	STUD	4
92015	92015-1170	NUT	4
92015A	92015-2241	NUT, 6MM	4
92026	92026-2273	SPACER, 6.2X7.8X17	4
92026A	92026-2274	SPACER, 6.2X7.8X22	4
92071	92071-2113	GROMMET	1
92200	92200-2037	WASHER, 6.5X18X2.0	4
130	130B0510	BOLT-FLANGED	2
130A	130G0625	BOLT-FLANGED	4

ELECTRIC-EQUIPMENT

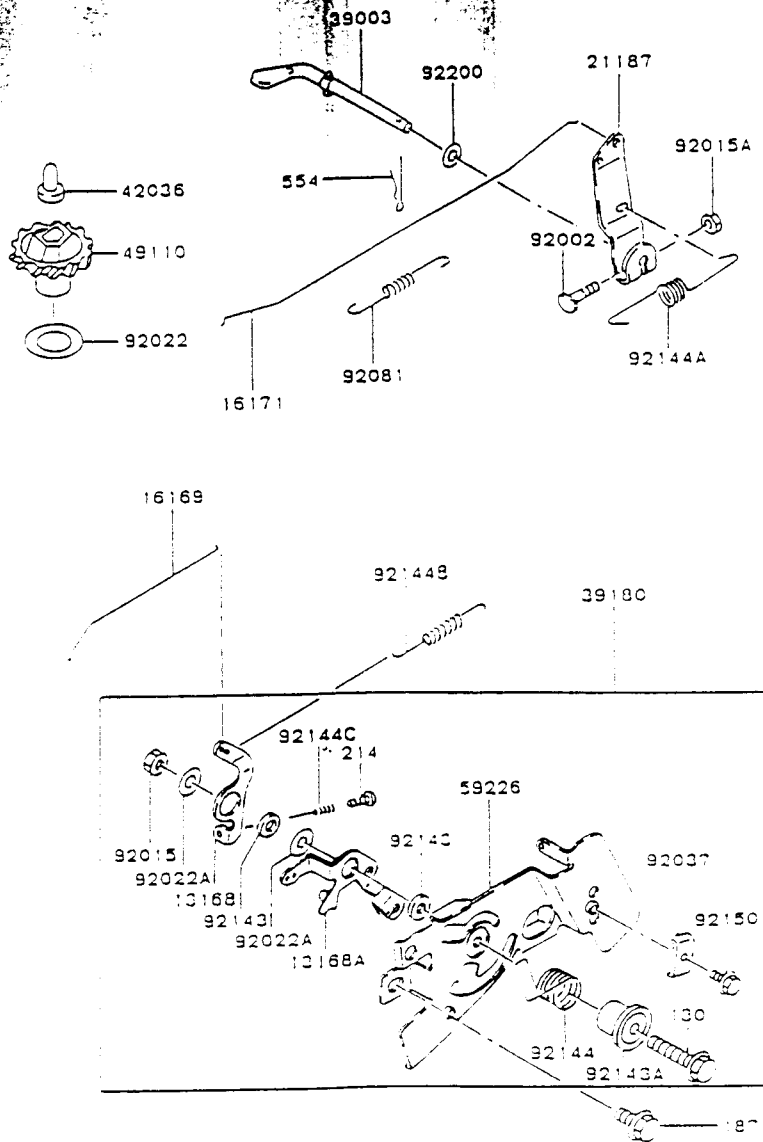
E0160-2424B

Ref. No.	Parts No.	Description	Quantity
14024	14024-2183	COVER	1
16073	16073-2124	INSULATOR	1
21119	21119-2119	IGNITER	1
	(FC150-B50812)	
21119A	21119-2139	IGNITER	1
	(FC150-B50813)	
21130	21130-2066	CAP-SPARK PLUG	1
21169	21169-2066	TERMINAL	1
21169A	317270-8419A	TERMINAL	1
21171	21171-2153	COIL-ASSY-IGNITION	1
	(FC150-B50812)	
21171A	21171-2176	COIL-ASSY-IGNITION	1
	(FC150-B50813)	
21194	21194-2218	FLYWHEEL-COMP	1
26011	26011-2246	WIRE-LEAD	1
	(FC150-B50812)	
26011A	26011-2279	WIRE-LEAD	1
92022	314401-3482A	WASHER	1
92038	92038-2077	KEY	1
92070	92070-2081	PLUG-SPARK, BP6ES (NGK)	1
92170	92170-2041	CLAMP	1
	(FC150-B50812)	
110	110B0522	BOLT-FLANGED	1
130	130G0625	BOLT-FLANGED	2
241	241B0412	SCREW-PAN-WP--	1
311	311B0500	NUT-HEX	1
314	314G1400	NUT-HEX-FINE	1
410	410B0500	NUT-PLAIN-S	1



CONTROL-EQUIPMENT

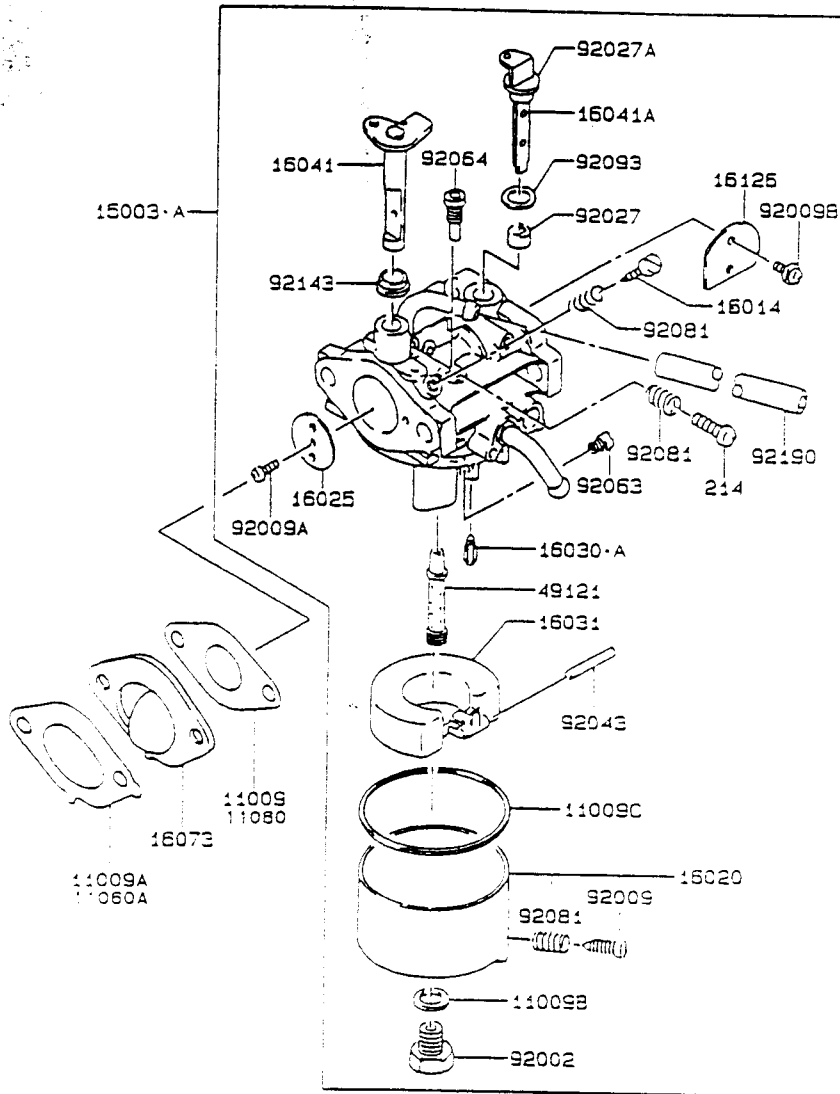
E0170-2068E



Ref. No.	Parts No.	Description	Quantity
13168	13168-2288	LEVER	1
13168A	13168-2298	LEVER	1
16169	16169-2104	LINK-CHOKE	1
16171	16171-2060	LINK	1
21187	21187-2060	ARM-ASSY	1
39003	39003-2071	ARM-PIVOT	1
39180	39180-2549	PANEL-ASSY-CONTROL	1
42036	314401-5121B	SLEEVE	1
49110	49110-2076	GOVERNOR-ASSY	1
59226	59226-2201	PANEL-CONTROL	1
92002	92002-2269	BOLT	1
92015	314401-5385A	NUT	1
92015A	92015-1193	NUT	1
92022	314401-5135A	WASHER	1
92022A	92022-2372	WASHER, 6X10X1.2	2
92037	92037-2209	CLAMP	1
92081	92081-2299	SPRING, LINK	1
92143	92143-2135	COLLAR, 5X13X2.3	2
92143A	92143-2148	COLLAR	1
92144	92144-2211	SPRING	1
92144A	92144-2213	SPRING	1
92144B	92144-2235	SPRING	1
92144C	92144-2266	SPRING	1
92150	92150-2132	BOLT, 5X18	1
92200	92200-2029	WASHER, 6.5X11.5X2.0	1
130	130B0630	BOLT-FLANGED	1
187	187B0614	BOLT-UPSET-WSP	1
214	214B0420	SCREW-PAN++	2
554	554A0600	PIN-SNAP	1

CARBURETOR

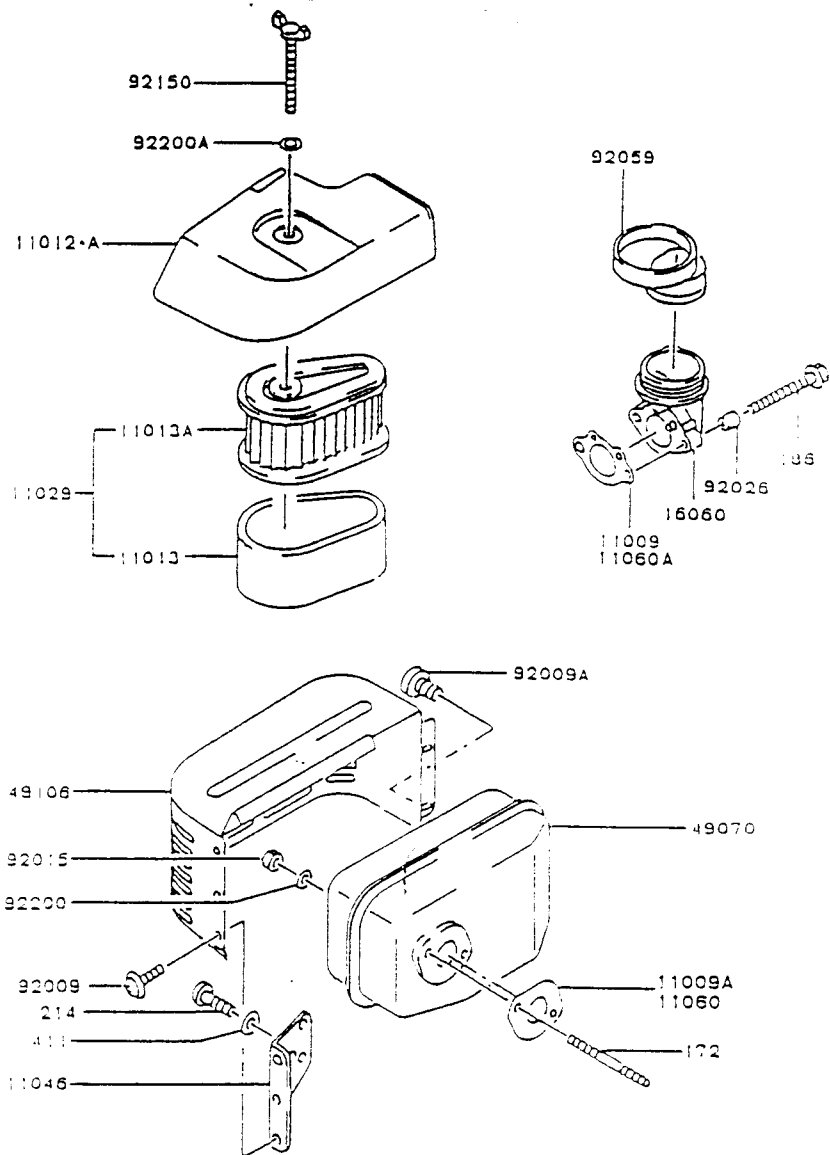
E0180-2202J



Ref. No.	Parts No.	Description	Quantity
11009	11009-2746	GASKET, CARBURETOR	1
	(FC150-B77966)	
11009A	11009-2833	GASKET, INSULATOR	1
	(FC150-B77966)	
11009B	314499-6159A	GASKET	1
11009C	314598-6128A	GASKET	1
11060	11060-2010	GASKET, CARBURETOR	1
	(FC150-B77967)	
11060A	11060-2012	GASKET, INSULATOR	1
	(FC150-B77967)	
15003	15003-2006	CARBURETOR-ASSY	1
15003A	15003-2088	CARBURETOR-ASSY	1
16014	316470-6114-00	SCREW-PILOT AIR	1
16020	314576-6130A	CHAMBER-FLOAT	1
16025	313650-6101-00	VALVE-THROTTLE, #110	1
16030	16030-2083	VALVE-FLOAT	1
16030A	314499-6122A	VALVE-FLOAT	1
16031	16031-2058	FLOAT	1
16041	16041-2178	SHAFT-CARBURETOR, THROTTLE	1
16041A	16041-2197	SHAFT-CARBURETOR, CHOKE	1
16073	16073-2136	INSULATOR	1
16126	16126-2173	VALVE, CHOKE	1
49121	49121-2113	NOZZLE-MAIN, #2A	1
92002	314499-6143A	SCREW	1
92009	315470-6133A	SCREW	1
92009A	316550-6137A	SCREW	1
92009B	92009-2149	SCREW	2
92027	314598-6138A	COLLAR	1
92027A	314598-6137A	COLLAR	1
92043	314499-6117A	SCREW	1
92063	92063-2096	JET-MAIN, #68.3	1
92064	92064-2065	JET-PILOT, #38.3	1
92081	313122-6113-00	SPRING	1
92093	92093-2087	SEAL	1
92143	92143-2143	COLLAR	1
92190	92190-2003	TUBE, 5X8X125	1
214	214B0412	SCREW-PAN--	1

AIR-FILTER/MUFFLER

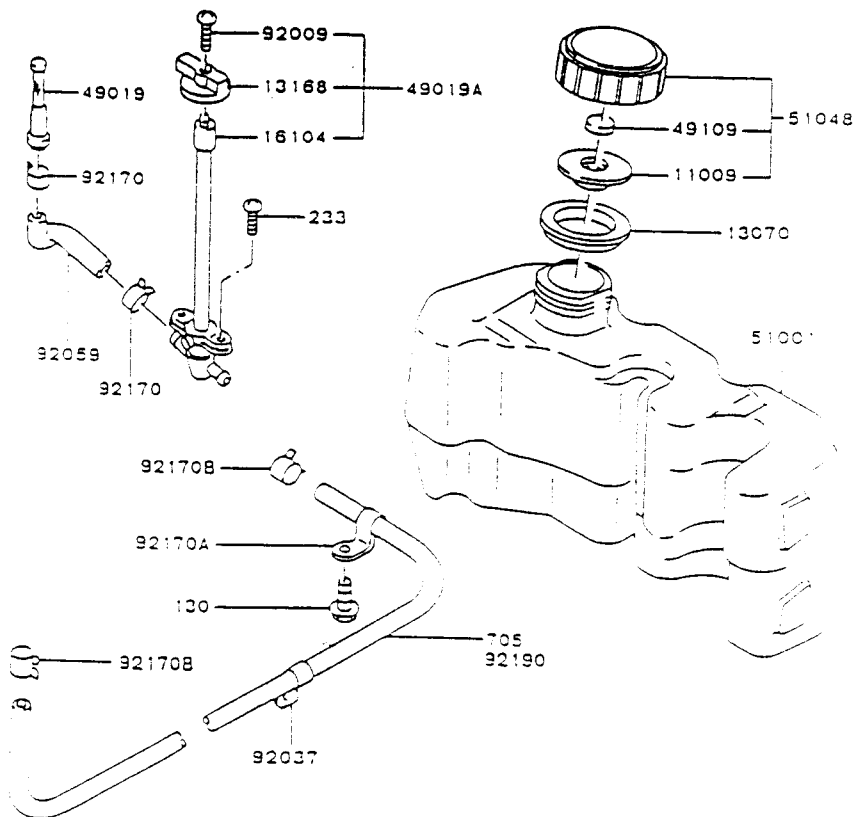
E0190-2278H



Ref. No.	Parts No.	Description	Quantity
11009	11009-2742	GASKET, INTAKE PIPE	1
	(FC150-B77966)		
11009A	11009-2743	GASKET, MUFFLER	1
11012	11012-2264	CAP, AIR FILTER	1
11012A	11012-2311	CAP, AIR FILTER	1
11013	11013-2119	ELEMENT-AIR FILTER	1
11013A	11013-2120	ELEMENT-AIR FILTER	1
11029	11029-2002	ELEMENT-ASSY-AIR FILTER	1
11046	11046-2053	BRACKET	1
11060	11060-2009	GASKET, MUFFLER	1
11060A	11060-2067	GASKET, INTAKE PIPE	1
	(FC150-B77967)		
16060	16060-2129	PIPE-INTAKE	1
49070	49070-2461	MUFFLER-COMP	1
49106	49106-2430	COVER-MUFFLER	1
92009	92009-2166	SCREW, 5X8	3
92009A	92009-2308	SCREW	2
92015	92015-1193	NUT	2
92026	92026-2272	SPACER, 6.2X7.3X8	2
92059	92059-2257	TUBE	1
92150	92150-2101	BOLT	1
92200	92200-2032	WASHER, 7X21X2.3	2
92200A	92200-2037	WASHER, 6.5X18X2.0	2
172	172G0680	BOLT-STUD	2
186	186B0680	BOLT-UPSET-WP	2
214	214B0510	SCREW-PAN--	2
411	411B0500	WASHER-PLAIN	2

FUEL-TANK/FUEL-VALVE

E0200-2241C



Ref. No.	Parts No.	Description	Quantity
11009	11009-2831	GASKET	1
13070	13070-2077	GUIDE	1
13168	13168-2303	LEVER	1
16104	16104-2052	FILTER-COMP	1
49019	49019-2091	FILTER-FUEL	1
49019A	49019-2094	FILTER-FUEL	1
49109	49109-2054	ELEMENT-BREATHER	1
51001	51001-2214	TANK-COMP-FUEL	1
51048	51048-2069	CAP-ASSY-TANK	1
92009	92009-2296	SCREW	1
92037	92037-2202	CLAMP	1
92059	92059-2262	TUBE	1
92170	92170-2009	CLAMP	2
92170A	92170-2037	CLAMP	2
92170B	92170-2043	CLAMP	2
92190	92190-2068	TUBE .4.8X10.3X425	1
130	130B0812	BOLT-FLANGED	2
233	233B0510	SCREW-PAN-WP+-	2
705	705A041000	TUBE-BRAID, L=425MM	2

STARTER

E0210-2003A

Ref. No.	Parts No.	Description	Quantity
11012	11012-2255	CAP.GRIP	1
13070	13070-2064	GUIDE, ROPE	1
13091	13091-2113	HOLDER, RECOIL	1
13165	13165-2072	PAWL, RECOIL STARTER	1
39108	39108-2059	RETAINER-SPRING	1
46075	46075-2082	GRIP, RECOIL STARTER	1
49080	49080-2143	PULLEY-STARTING	1
49088	49088-2379	STARTER-RECOIL	1
59101	59101-2079	REEL, RECOIL STARTER	1
59106	59106-2115	ROPE, 3.8X1600	1
92009	92009-2280	SCREW, 5X18	1
92022	92022-2384	WASHER, 5X12.8X1.2	1
92081	315601-3452A	SPRING, RECOIL	1
92144	92144-2176	SPRING	1
92144A	92144-2177	SPRING, RETURN	1

